

SPRING REWIND REELS

Series N800

- Fuel Dispensing (Consult Factory)
- Waste Oil Evacuation • Air/Water

To handle 3/4" or 1" I.D. hose.

- Narrow frame and compact mounting base.
- Non-sparking ratchet assembly.
- Declutching arbor to prevent damage from reverse winding.
- Standard inlet: 90° balanced pressure swivel joint, 1" female NPT threads.
- Standard outlet: 1" female NPT threads.
- Standard pressures to 2000 psi (138 bar), available up to 6000 psi (414 bar) – must specify.
- Temperatures from -40° F to +400° F (-40° C to +204° C).
- 4-way roller assembly. SR and VR roller positions: swivel joint is standard on the right. TR roller positions: swivel joint is standard on the left. Other configurations available, must specify.
- Constant tension is available – consult factory.



Optional TR configuration shown

PARTS DRAWING – ISO 81

Model Number	Hose Capacity of Reel feet m			Approx. Weight lb. kg			Standard Roller Assy.	Reel Dimensions*** in. mm							
	I.D. in. mm	3/4 19	1 25	NET	UPS/ FedEx SHIP Wt.	Freight SHIP Wt.		A	B	C	E	F	G	H	X
	O.D. in. mm	1-9/32 33	1-1/2 38												
N816-19-20-10.5J	25	15	75	83*	110	N204	10	4	10.5	20.75	13	20	10.62	8	
	8	5	34	38	50		254	102	267	527	330	508	270	203	
†N818-23-24-10.5J	50†	25†	87	-	122	N206	12	6	10.5	24	15	24	12.62	10	
	15†	8†	39	-	55		305	152	267	610	381	610	321	254	
N816-25-26-10.5B	60	35	96	-	131	N204	10	4	10.5	25.5	13	26	13.62	8	
	18	11	44	-	59		254	102	267	648	330	660	346	203	
N818-25-26-10.5B	70	50	102	-	137	N206	12	6	10.5	25.5	15	26	13.62	10	
	21	15	46	-	62		305	152	267	648	381	660	346	254	
†N818-25-26-10.5G	75	-	108	-	143	N206	12	6	10.5	25.5	15	26	13.62	10	
	23	-	49	-	65		305	152	267	648	381	660	346	254	

Notes:

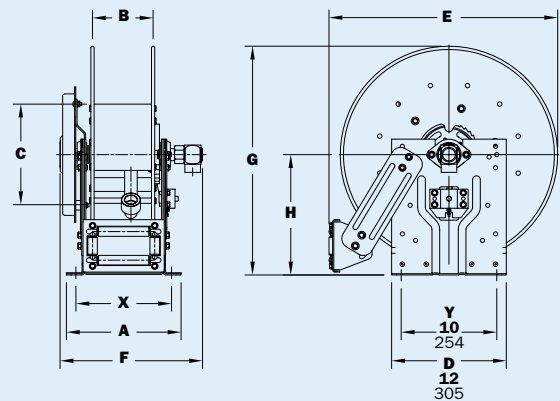
A hose stop is necessary to keep spring from unwinding.

1. Specifications subject to change.
2. Reel models and capacities shown are for standard drag applications; for vertical lift applications, consult factory.
3. Other sizes, from standard components, available on request.
4. **Finish:** Refer to page 3.

5. Be sure to check dimensions and weights prior to ordering.

NOTICE: A flexible connector must be used between the inlet pipe and the inlet swivel joint.
*Dimensional weight may apply when shipped as a parcel package (via FedEx or UPS Ground).

*** X, Y indicate mounting holes. See page 5.
†Capacity based on low pressure air hose only.



Available Roller Positions



SR (STD)

VR (OPT)

TR (OPT)

TR (Wallmount)